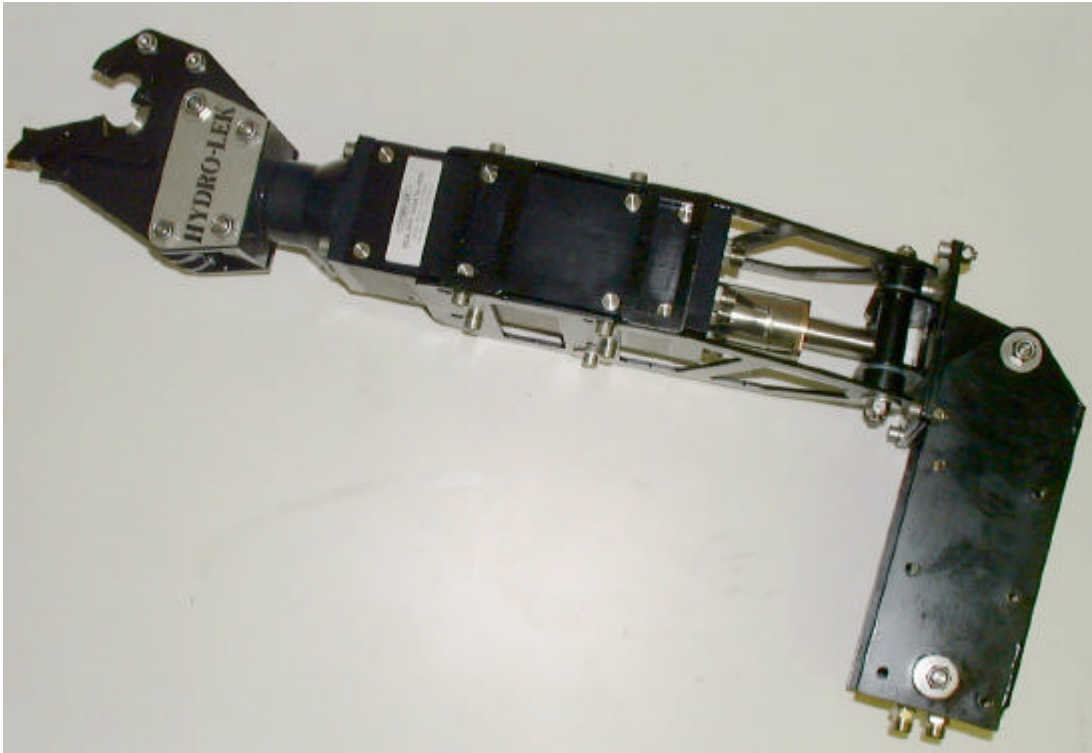




INNOVATIVE DESIGN ENGINEERING



HLK-MB4 Manipulator:

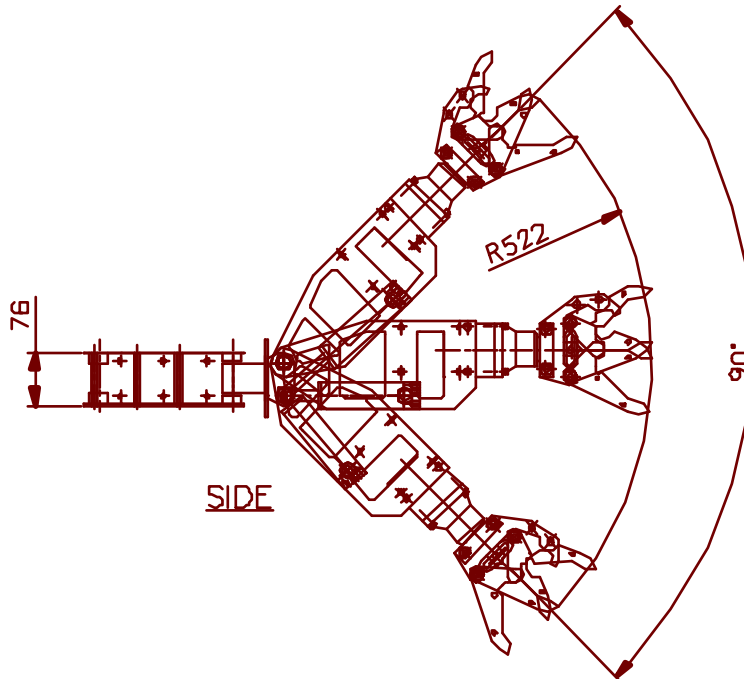
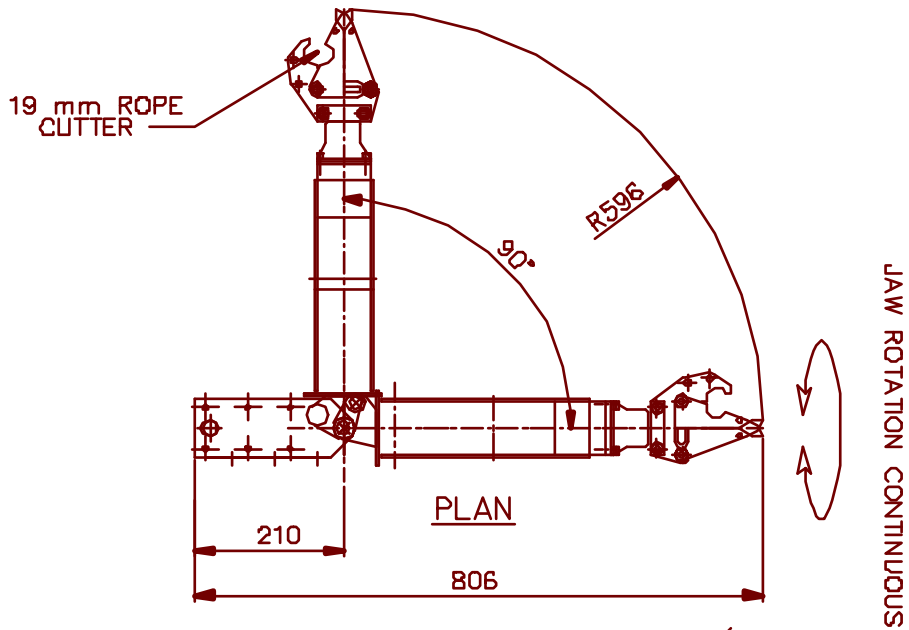
The HLK-MB4 Manipulator arm is a utility class arm ideally suited for installation on many of today's smaller ROV's. It's ability to stow across the front of the vehicle makes it one of the most compact versatile arms in the market. It incorporates the HLK-2020 Continuous Rotate Jaw Actuator which has a jaw opening of 154mm together with the unique open jaw soft rope cutter built in to the outside of the jaws. It can be operated with the standard HLK-7020 Valve Pack.

Specification:

Dimensions	Length of arm	630 mm
	Length of slew plate	154 mm
	Height	125 mm
	Width	100 mm
Capacities	Jaw Rotate	Continuous
	Jaw Torque at 140 bar	40 Nm
	Arm Lift capacity at 140 bar	40 Kg
Weight	Weight in air	12.5 Kg
	Weight in water	10 Kg
Construction	316 SS Epoxy hard coated	
	HE 30 Hard anodised aluminium	

Hydro-Lek Ltd. Unit 4 Weller Drive Hogwood Lane Ind. Estate Finchampstead Berks. U.K. RG40 4QZ
Telephone: +44(0) 118 9736903 Fax: +44(0) 118 9736915

Web Site <http://www.hydro-lek.com> Email: enquiries@hydro-lek.com



MB4-GAUNTLET PLUS

ROTATE	360° CONTINUOUS
TORQUE AT 140 BAR	40Nm
LIFT AT 140 BAR	40 KG
WEIGHT IN AIR	12.5 KG
WEIGHT IN WATER	10.0 KG
MATERIALS:-	316 ST. STEEL/ HE30 HARD ANODISED ALUMINIUM

FOR SLEW PLATE FIXING DETAIL SEE DRG CMR 4030

HYDRO-LEK LTD.	MB4-GAUNTLET PLUS
ISS. DATE:-	MAT:-
CHKD BY:- REV. NO:- 1	DRG. NO:-CMR 4200/DATA
DRAWN BY:- JW 31/8/00	C.M. INNOVATIONS LTD.