



INNOVATIVE DESIGN ENGINEERING



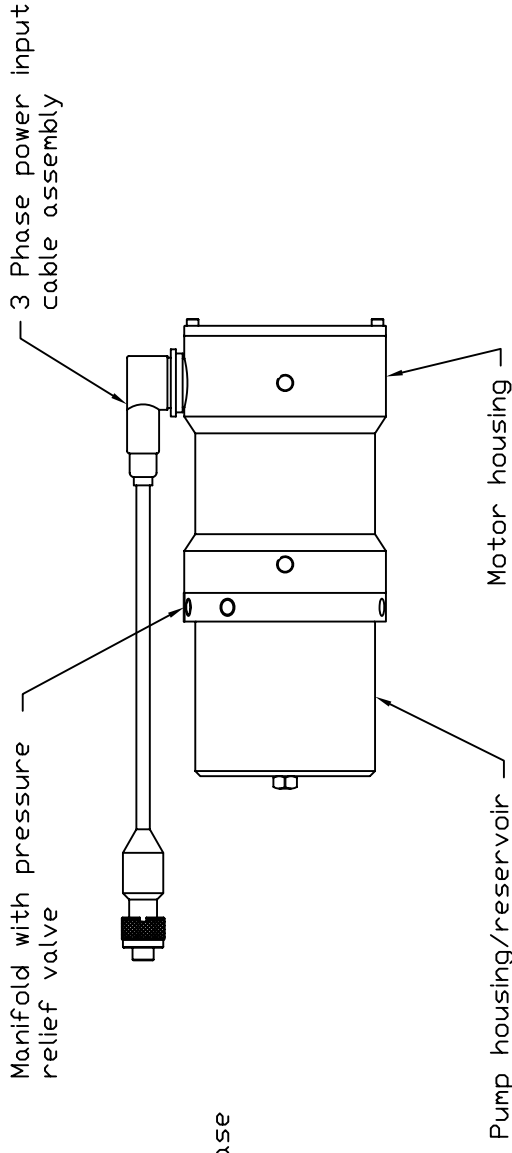
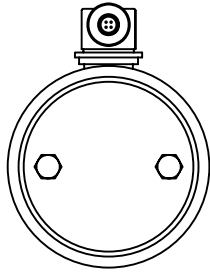
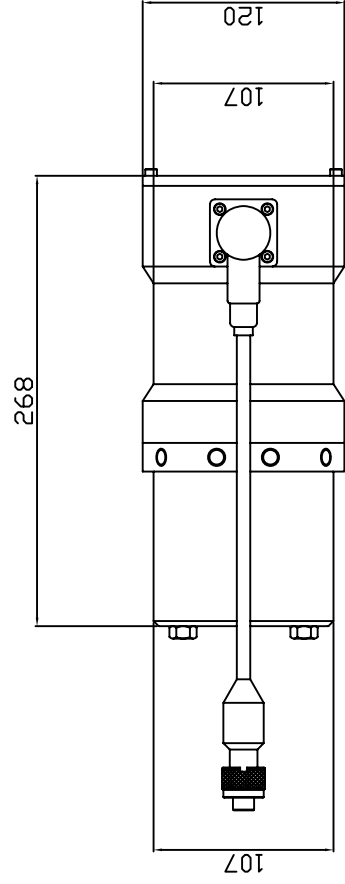
### HLK-90130 Power Pack:

The HLK-90130 Power pack is a three phase powered unit which can be supplied for operation on either 440 or 660 Volts. The motor is fitted within an oil-filled, pressure compensated housing, which is separate to the pump and reservoir. The pump has an oil filter fitted to prevent contamination from being circulated through the hydraulic system.

#### Specification:

<b>Dimensions</b>	<b>Overall length</b>	<b>268mm</b>
	<b>Motor diameter</b>	<b>120mm</b>
<b>Weight</b>	<b>Weight in air (Oil Filled)</b>	<b>8.0Kg</b>
	<b>Weight in water (Oil Filled)</b>	<b>5.0Kg</b>
<b>Supply</b>	<b>Voltage</b>	<b>440/660 Volts 3 phase</b>
	<b>Power</b>	<b>0.75KW (nom)</b>
<b>Output</b>	<b>Pressure</b>	<b>140 BAR (nom)</b>
		<b>210BAR (max)</b>
	<b>Flow</b>	<b>1.25L/min</b>
	<b>Ports</b>	<b>1/8" NPT</b>
<b>Construction</b>	<b>HE 30 Hard Anodised aluminium</b>	

Hydro-Lek Ltd. Unit 4, Weller Drive, Hogwood Lane Ind. Estate Finchampstead Berks U.K. RG40 4QZ  
Telephone: +44(0) 1189 736903 Fax: +44(0) 1189 736915  
Web: <http://www.hydro-lek.com> Email: [enquiries@hydro-lek.com](mailto:enquiries@hydro-lek.com)



**SPECIFICATION**

Input: Voltage: 440 DR 660 Volt 3-Phase  
 Power: 0.75kW (nom)

Output: Pressure: 140 bar (Nom)  
 210 bar (Max)  
 Flow: 1.25 l/min

Ports: 1/8" NPT

Dimensions: Length: 268mm  
 Diameter: 120mm

Weight: In air: 8kg  
 In water: 5kg

Materials: Aluminium alloy 6082-T6 (HE30)  
 Hard black anodized

Designed by JO	Checked by	Approved by -	File name HLK 90130-A.dwg/iso.dwg	Date 17/01/07	Scale NTS
Hydro-Lek Limited Unit 4, Weller Drive, Hogwood Lane Industrial Estate, Finchampsstead, Berks. RG40 4QZ. Tel: 0118 9736903			POWER PACK - 3ph 0.75kW MOTOR		
			HLK 90130	Edition A	Sheet A3