



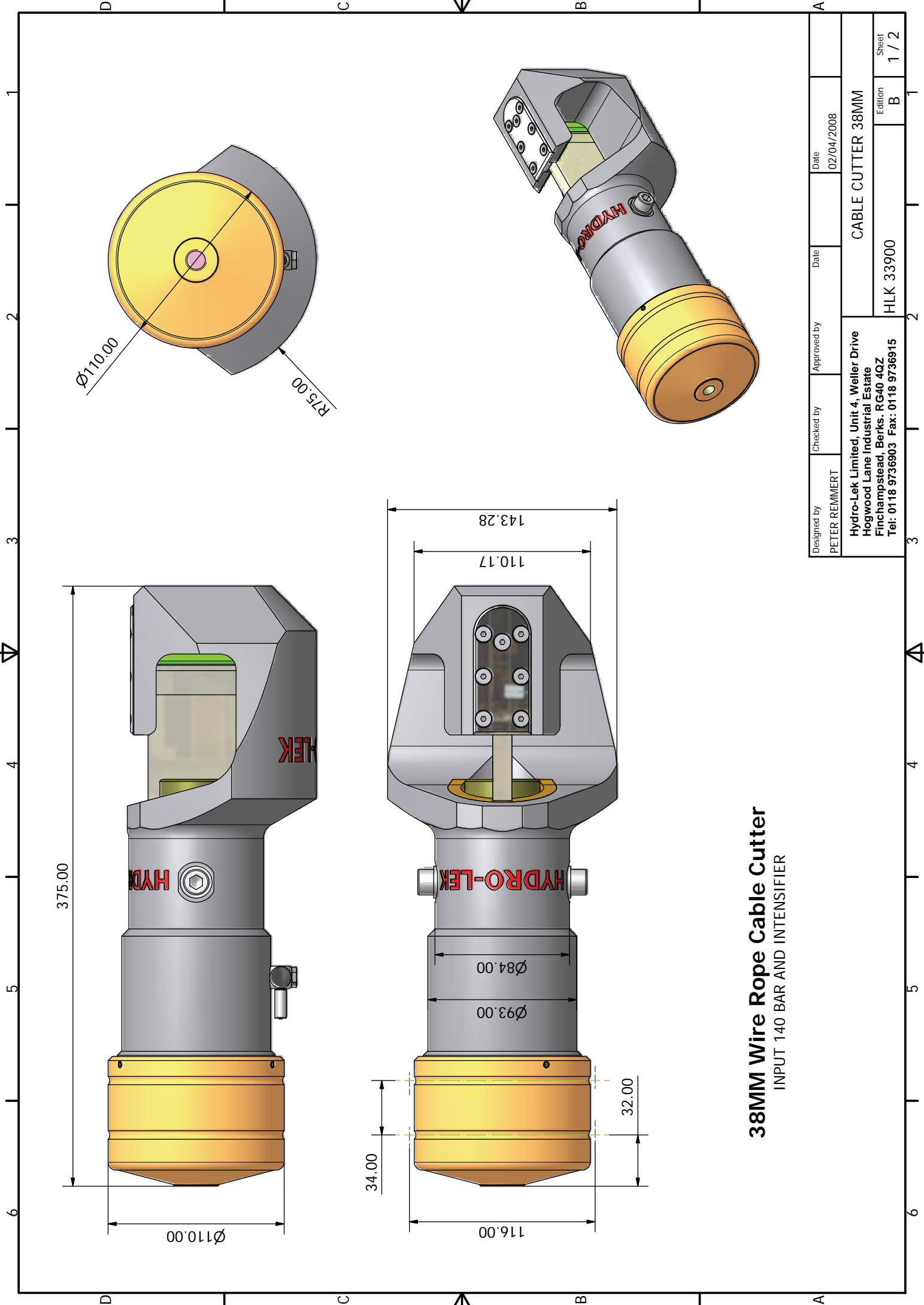
### **HLK-33900 38mm Hydraulic Cutter:**

The HLK-33900 cutter is a double acting device capable of cutting steel wire rope up to 1<sup>1</sup>/<sub>2</sub> Inches (38mm) diameter and steel bar up to 1 Inch diameter. The cutter has a shaped closure for the cable such that it will cut full diameter in one pass. The unit comes with an intensifier and can operate with a 140 Bar hydraulic supply. Approximate weight in water 14.8kg.

#### **Specification:**

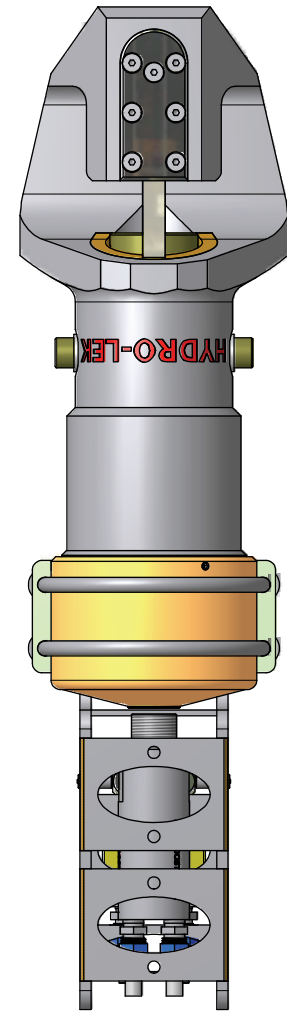
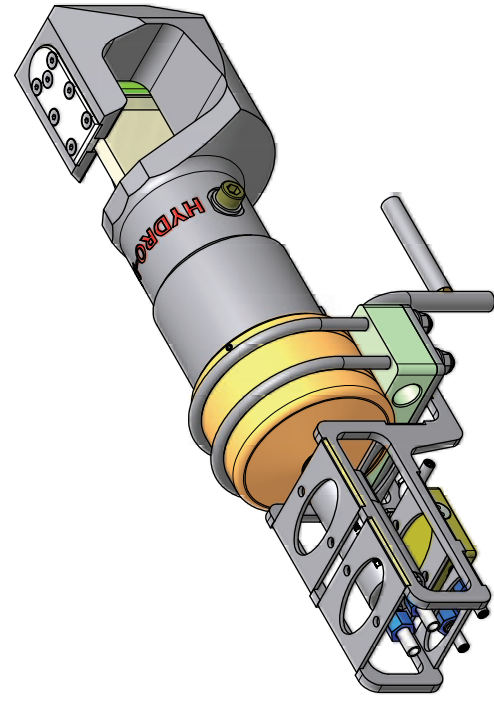
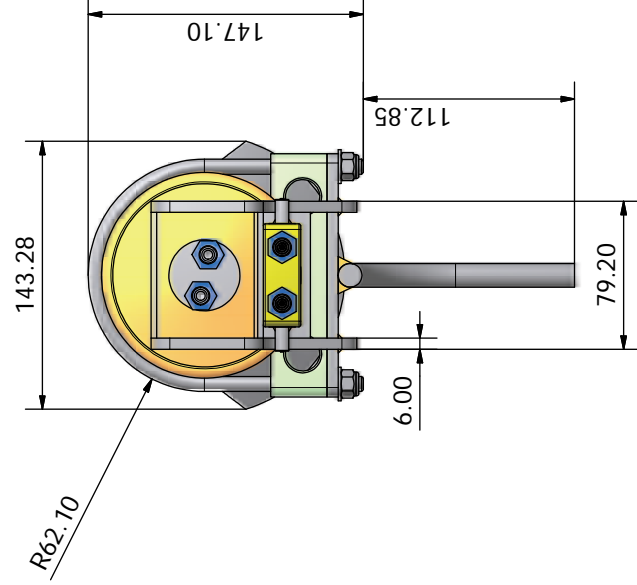
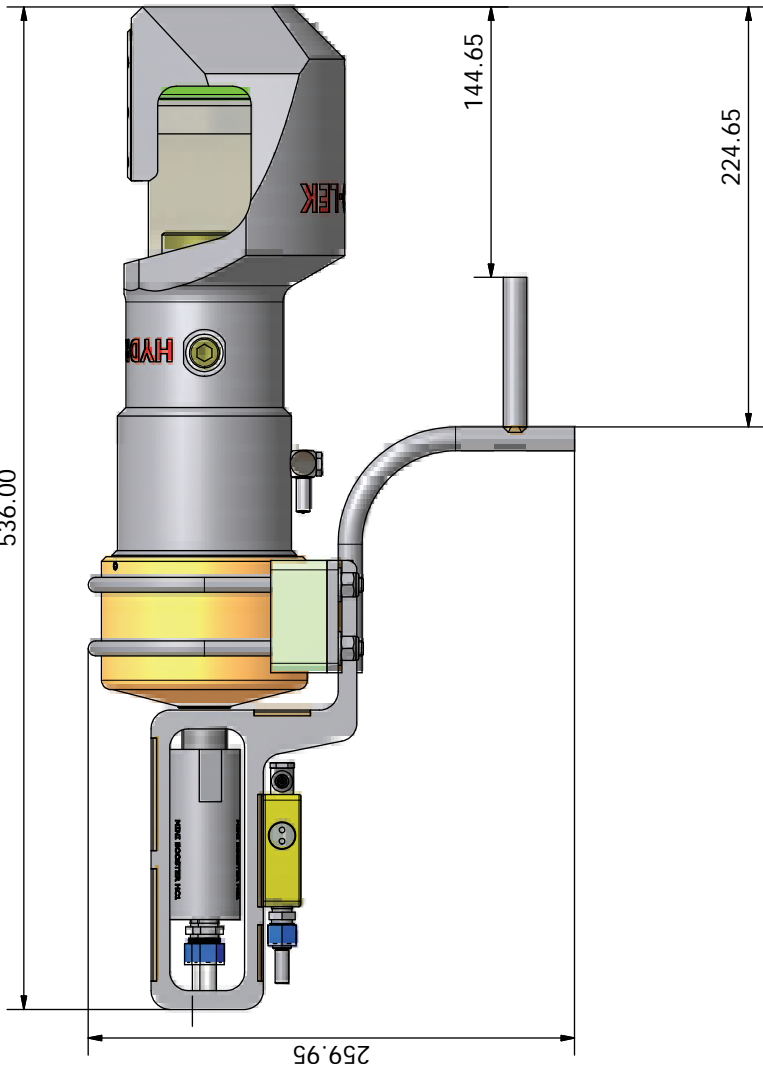
Maximum operating pressure:	140 Bar
Weight in air:	17.2Kg
Weight in water approximately:	14.8Kg
Standard port:	¼ BSP into intensifier
Material:	Stainless Steel

Hydro-Lek Ltd. Falcon House, Hogwood Lane Ind. Estate Finchampstead Berks U.K. RG40 4QQ  
Telephone: +44(0) 1189 736903 Fax: +44(0) 1189 736915  
Email: enquiries@hydro-lek.com

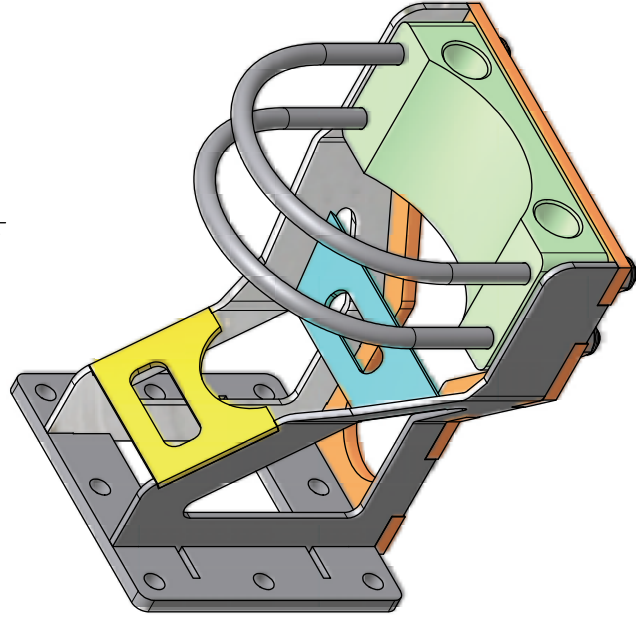
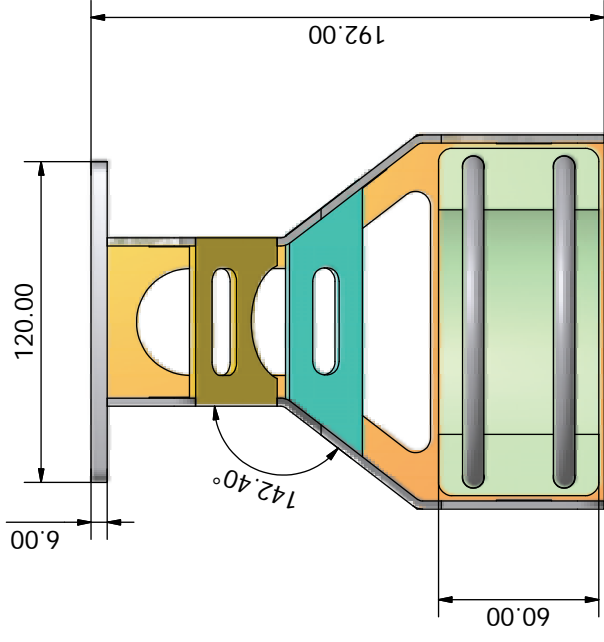
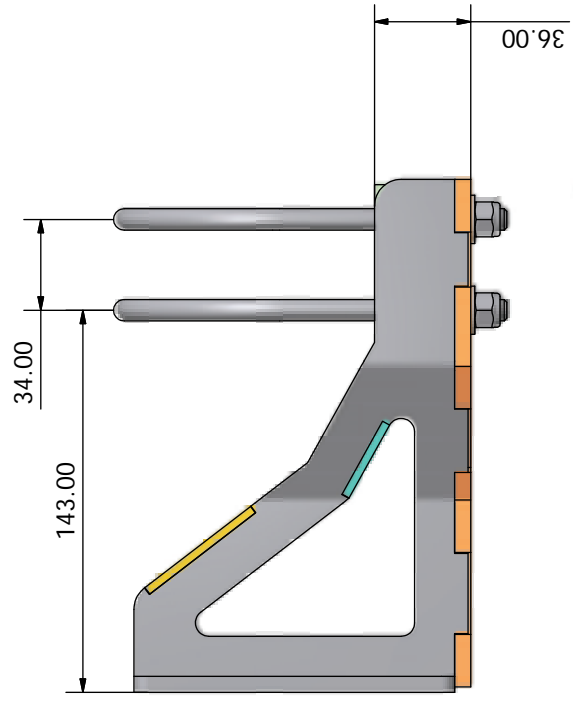
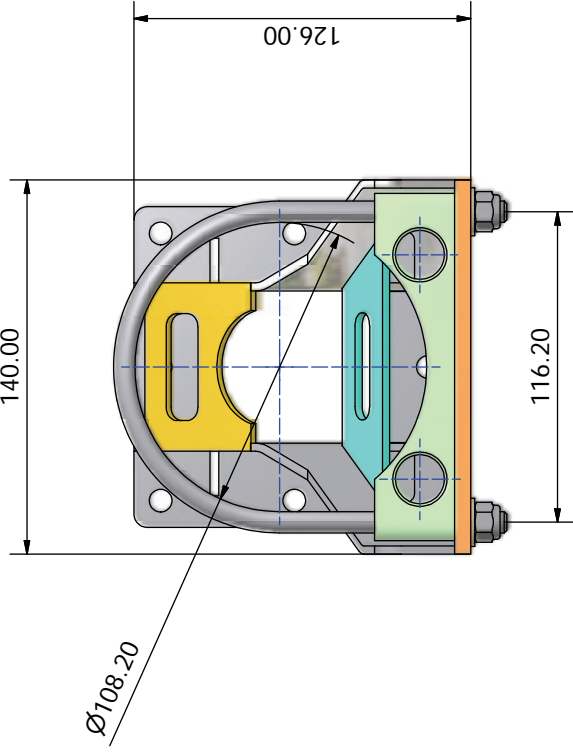


**38MM Wire Rope Cable Cutter**  
 INPUT 140 BAR AND INTENSIFIER

Designed by PETER REMMERT	Checked by	Approved by	Date 02/04/2008	A
Hydro-Lek Limited, Unit 4, Weller Drive Hogwood Lane Industrial Estate Finchampstead, Berks. RG40 4QZ Tel: 0118 9736903 Fax: 0118 9736915			HILK 33900	2
CABLE CUTTER 38MM			Edition B	1
			Sheet 1 / 2	6



Designed by PETER REMMERT	Checked by	Approved by	Date 23/05/2008
Hydro-Lek Limited, Unit 4, Weller Drive Hogwood Lane Industrial Estate Finchampstead, Berks. RG40 4QZ Tel: 0118 9736903 Fax: 0118 9736915			HLK 33920
CABLE CUTTER 38MM MOUNTED			Edition A
			Sheet 1 / 1



Designed by PETER REMMERT	Checked by	Approved by	Date 07/04/2008
Hydro-Lek Limited, Unit 4, Weller Drive Hogwood Lane Industrial Estate Finchampstead, Berks. RG40 4QZ Tel: 0118 9736903 Fax: 0118 9736915		MOUNT BRACKET CUTTER 38MM	
HLK 33925		Edition A	Sheet 1 / 3