

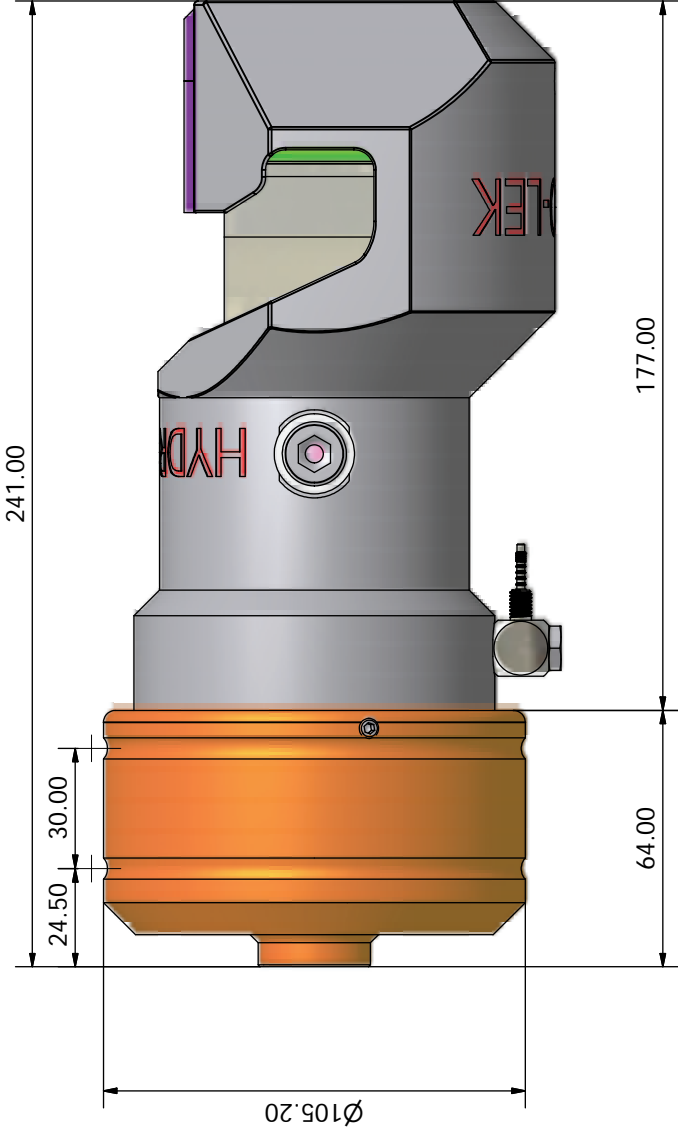
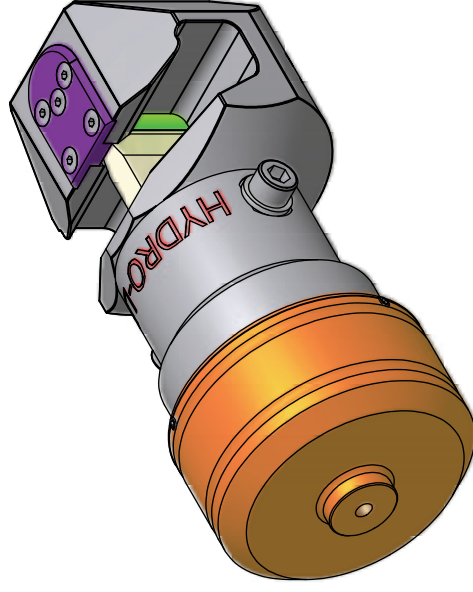
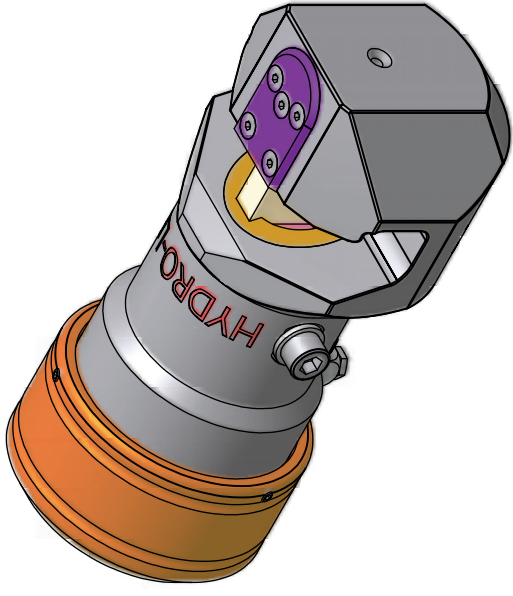
HLK-33800 25mm Compact Cutter:

The HLK-33800 compact cutter is a double acting device capable of cutting steel wire rope up to 1 Inch (25mm) diameter and steel bar up to 1 / 2 Inch diameter. The cutter has a shaped closure for the cable such that it will cut full diameter in one pass. The unit comes with an intensifier and can operate with a 140 Bar hydraulic supply. Weight 8.2kg in water.

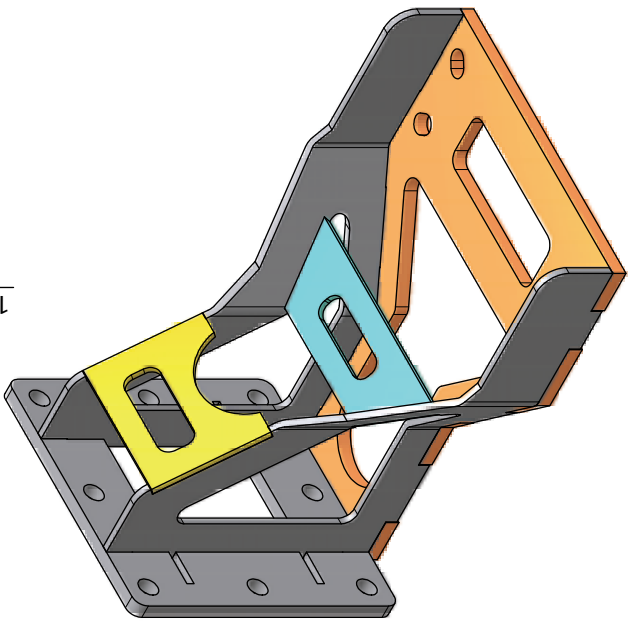
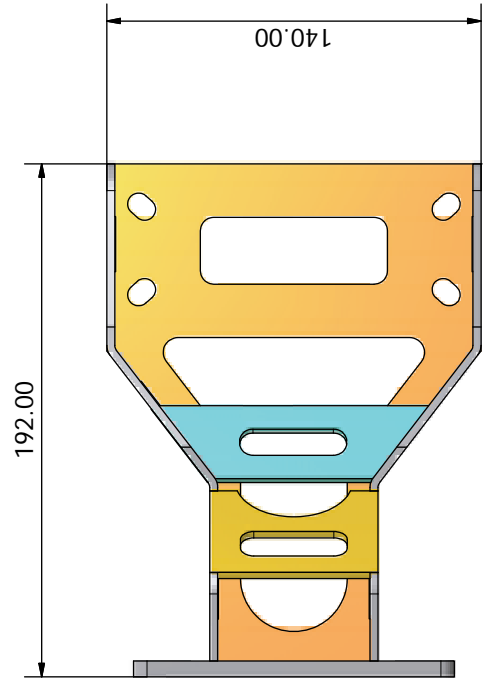
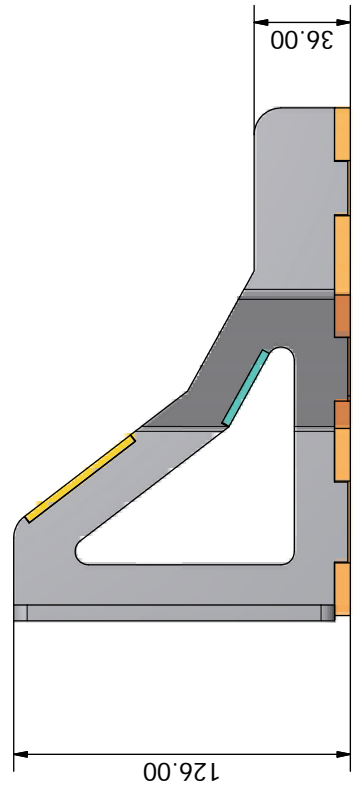
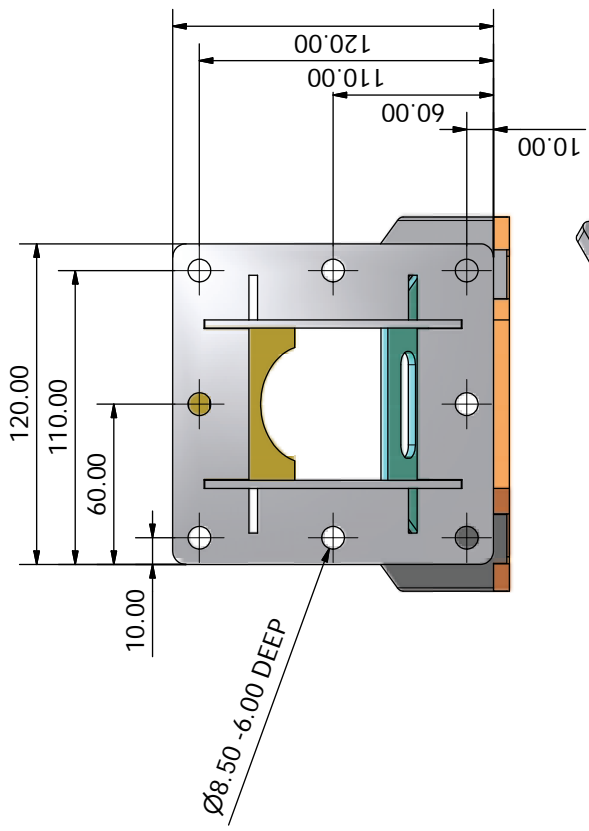
Specification:

Maximum operating pressure:	140 Bar
Weight in air	9.9Kg
Weight in water	8.5Kg
Standard port	¼ BSP into intensifier
Material	Stainless Steel

Hydro-Lek Ltd. Falcon House, Hogwood Lane Ind. Estate Finchampstead Berks U.K. RG40 4QQ
Telephone: +44(0) 1189 736903 Fax: +44(0) 1189 736915
Email:enquiries@hydro-lek.com

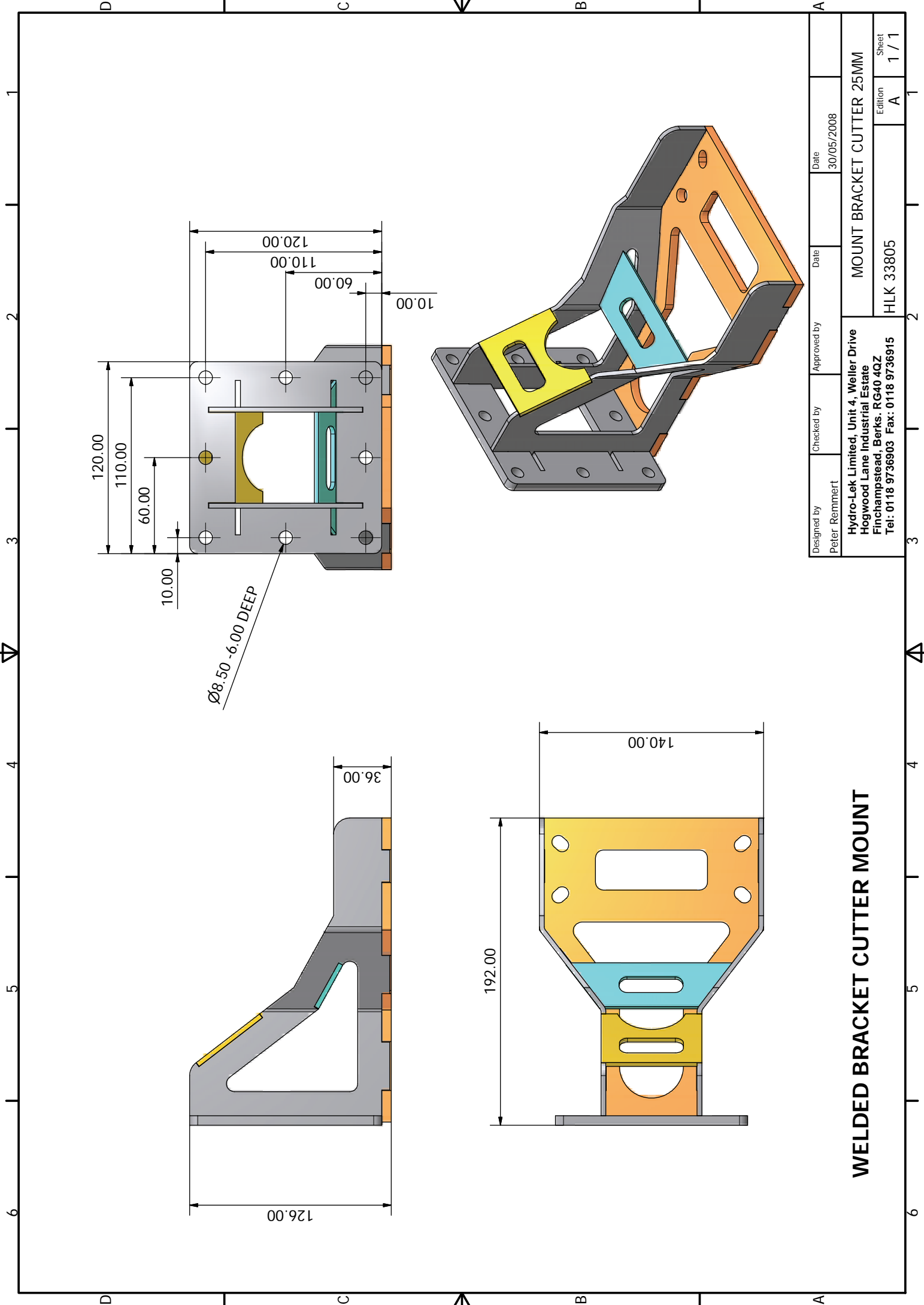


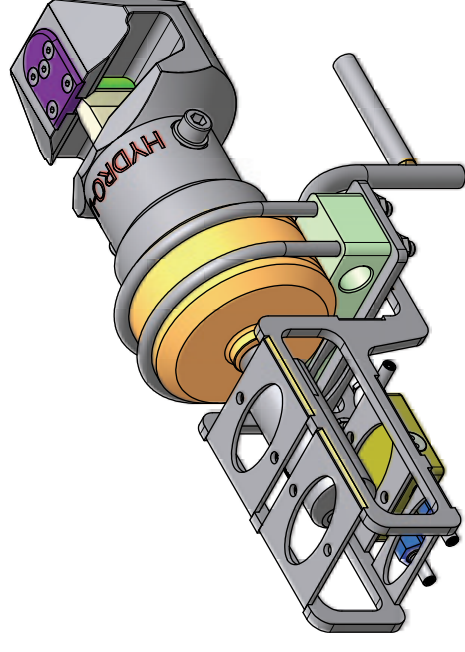
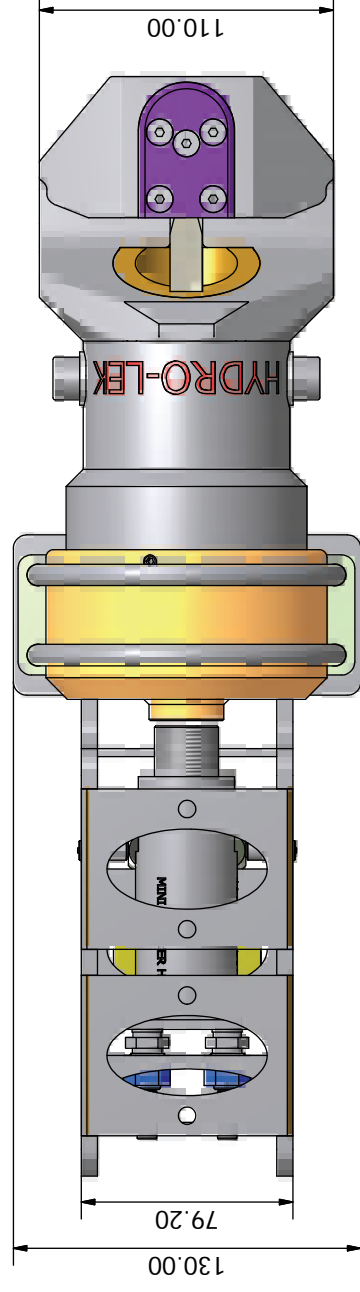
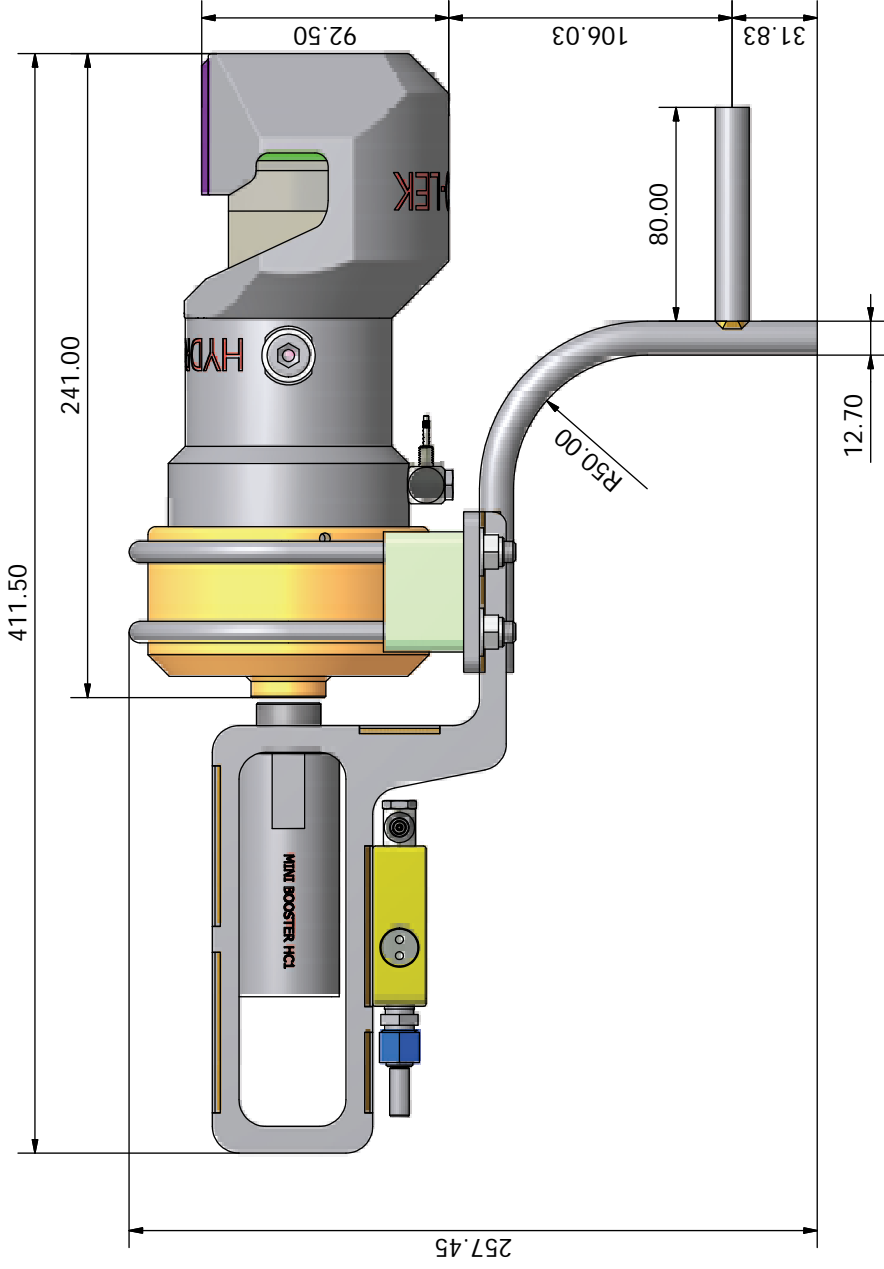
Designed by PETER REMMERT	Checked by	Approved by	Date 20/01/2008
Hydro-Lek Limited, Unit 4, Weller Drive Hogwood Lane Industrial Estate Finchampstead, Berks. RG40 4QZ Tel: 0118 9736903 Fax: 0118 9736915			HLK 33800
25MM CABLE CUTTER			Edition A
			Sheet 1 / 2



Designed by Peter Remmert	Checked by	Approved by	Date 30/05/2008
Hydro-Lek Limited, Unit 4, Weller Drive Hogwood Lane Industrial Estate Finchampstead, Berks. RG40 4QZ Tel: 0118 9736903 Fax: 0118 9736915		HILK 33805	
MOUNT BRACKET CUTTER 25MM			Sheet 1 / 1
Edition A			

WELDED BRACKET CUTTER MOUNT





Designed by Peter Remmert	Checked by	Approved by	Date 30/05/2008
Hydro-Lek Limited, Unit 4, Weller Drive Hogwood Lane Industrial Estate Finchampstead, Berks. RG40 4QZ Tel: 0118 9736903 Fax: 0118 9736915			CUTTER T SIDE MOUNTED
HLK 33890 CUTTER			Edition A
			Sheet 1 / 1