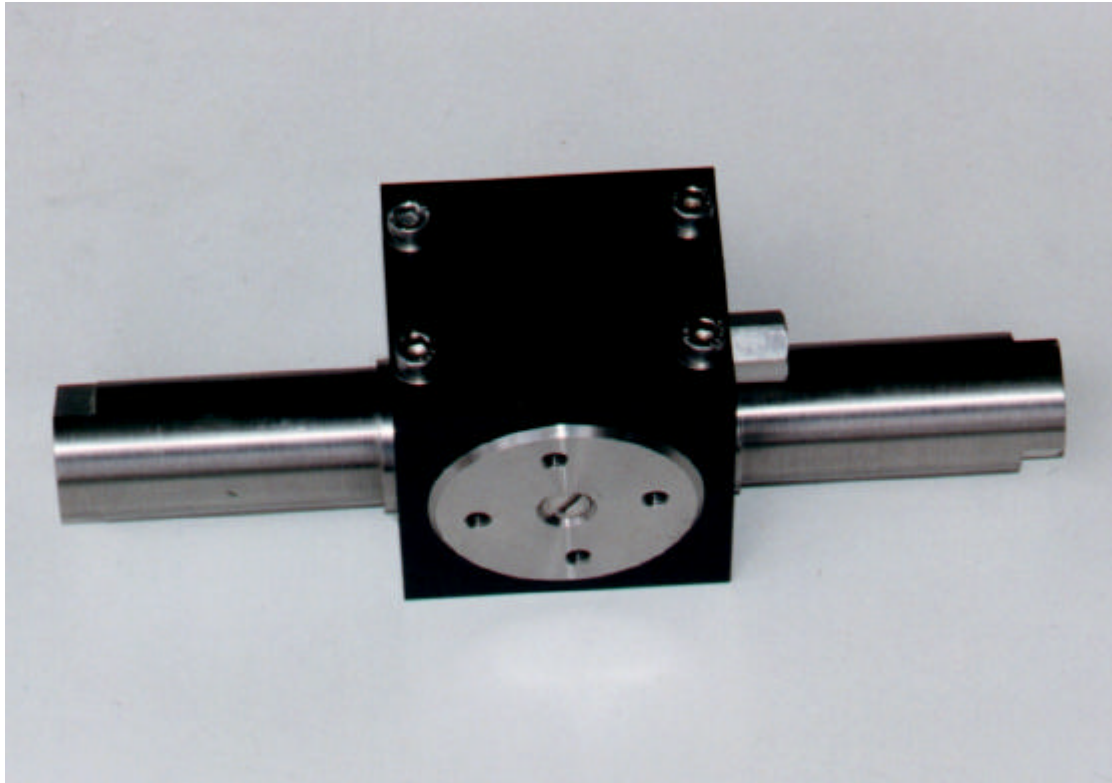




INNOVATIVE DESIGN ENGINEERING



### HLK-2290 Compact Camera Rotator:

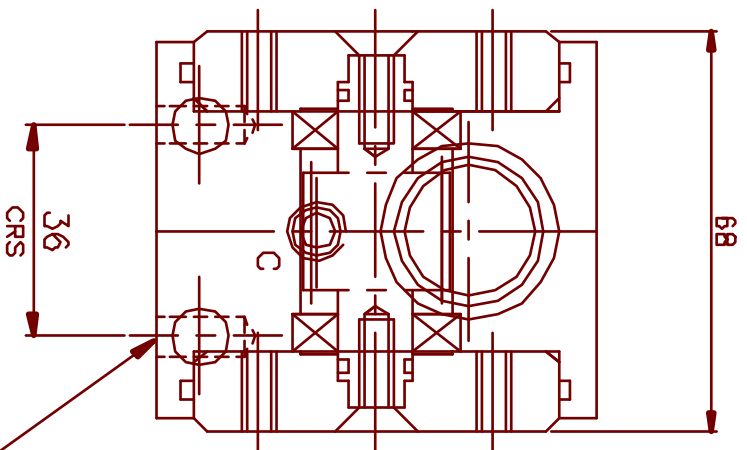
The HLK-2290 Compact Camera Rotator has been developed to carry observation cameras in sub sea robotic, ROV and tooling environments. Being constructed from 316 stainless steel and acetal, it makes it ideal for permanent sub sea installation on steel structures. Also, having through body rotating plates, it makes it an ideal camera and lighting platform.

#### Specification:

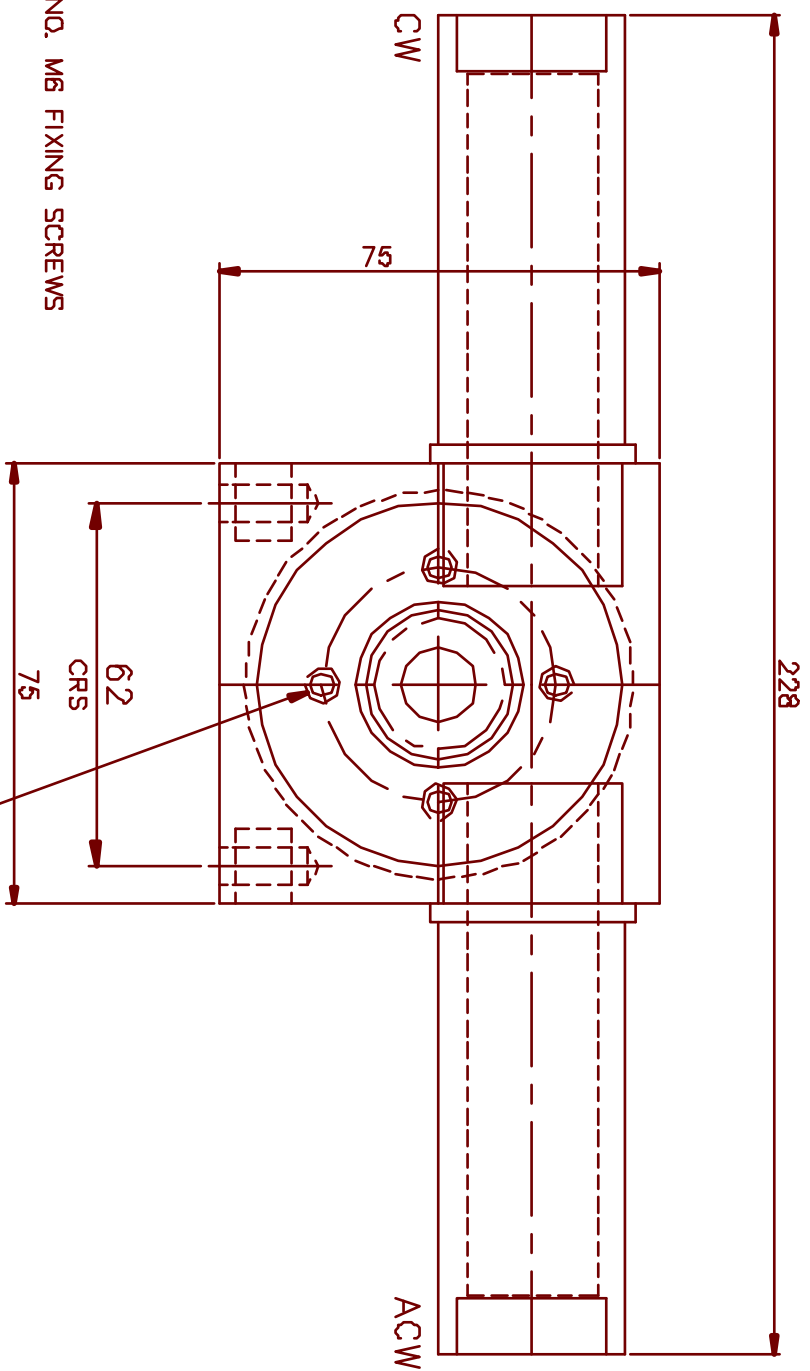
<b>Dimensions</b>	<b>Height</b>	<b>75 mm</b>
	<b>Width</b>	<b>230 mm</b>
	<b>Depth</b>	<b>70 mm</b>
<b>Function</b>	<b>Pan</b>	<b>360°</b>
<b>Weight</b>	<b>Weight in air</b>	<b>2.0 Kg</b>
	<b>Weight in water</b>	<b>1.5 Kg</b>
<b>Material</b>	<b>316 SS</b>	
	<b>Acetal</b>	
<b>Hydraulics</b>	<b>Pan torque</b>	<b>100 NM @ 180 BAR</b>
	<b>Max working pressure</b>	<b>210 bar</b>
<b>Ports</b>		<b>1/8 NPT / 7/16 SAE</b>

Hydro-Lek Ltd. Unit 4 Weller Drive Hogwood Lane Ind. Estate Finchampstead Berks. U.K. RG40 4QZ  
Telephone: +44(0) 118 9736903 Fax: +44(0) 118 9736915

Web Site <http://www.hydro-lek.com> Email: [enquiries@hydro-lek.com](mailto:enquiries@hydro-lek.com)



4 NO. M6 FIXING SCREWS



4 NO. M6 FIXING HOLES  
EQUI-SPACED AS SHOWN ON A 40.0 PCD

**PORTS**

C =  
CW =  
ACW =

COMPENSATION  
PAN CLOCKWISE  
PAN C/CLOCKWISE

**SPECIFICATION**

PAN ANGLE  
MAX. WORKING PRESS.  
PAN TORQUE  
OVERALL HEIGHT  
OVERALL WIDTH  
WEIGHT IN AIR  
WEIGHT IN WATER  
PORTS  
MATERIALS:-

360°  
210 BAR  
100 NM  
75  
68/228  
2.0 KG  
1.5 KG  
1/8" NPT / 7/16" SAE  
ACETAL  
316 ST. STEEL

HYDRO-LEK LTD		COMPACT CAMERA ROTATOR	
ISS. DATE:-		MAT:-	VARIOUS
CHKD BY:-	REV NO -	DRG NO:-	CMR 2290/DATA
DRAWN BY:- JW 4/5/00		G.M. INNOVATIONS LTD.	