



INNOVATIVE DESIGN ENGINEERING



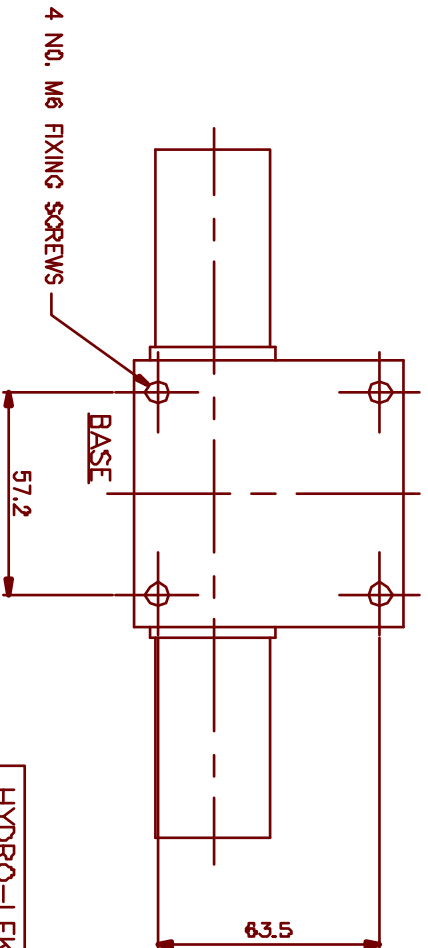
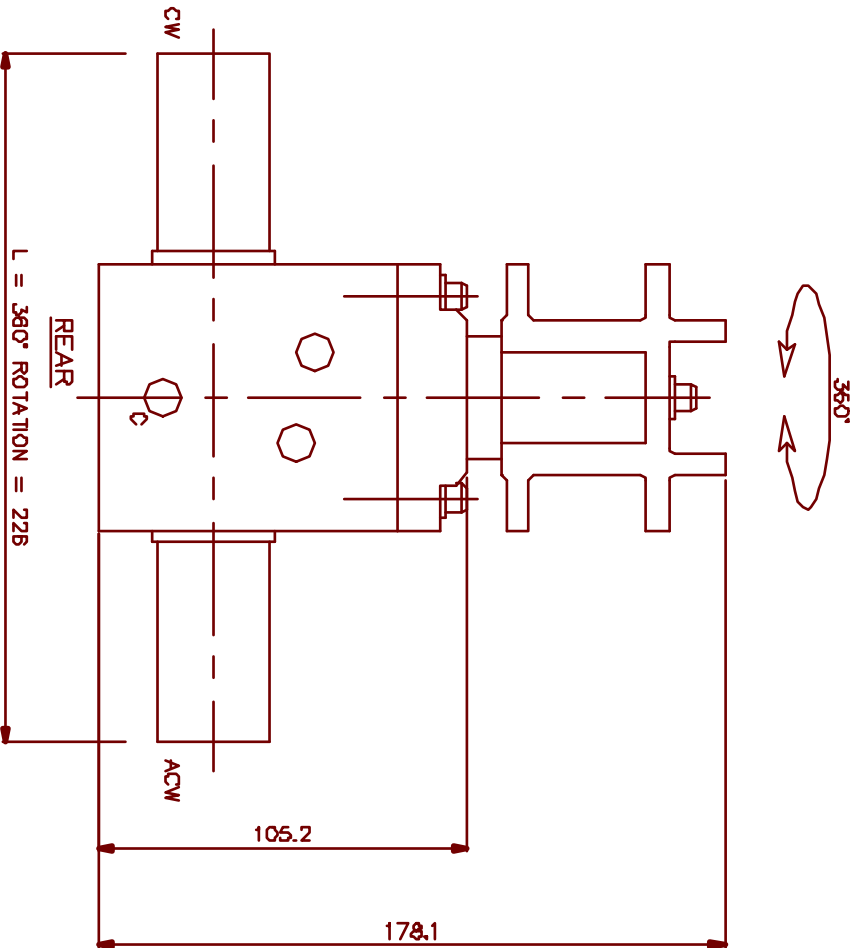
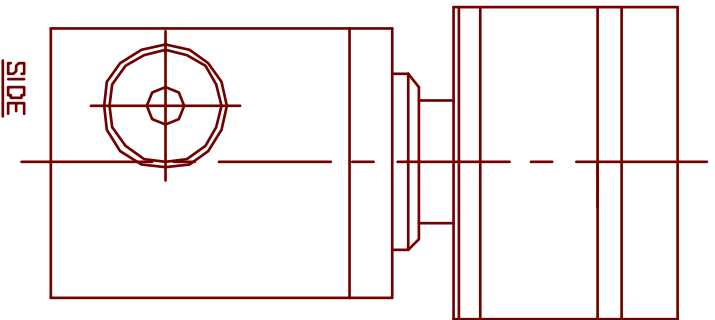
**HLK-2200 Camera Rotator:**

The HLK-2200 Camera Rotator is a derivative of the HLK-2150 Pan & Tilt using the same base section and camera mount clamp. It has a very rugged shaft and is ideal as a tilt or pan unit only. The redundant slip ring section, which normally drives the pan & tilt unit, can also be used as a high-pressure water jet-port when used as a cleaning head in pipe inspection, cutting and repair tools.

**Specification:**

<b>Dimensions</b>	<b>Height</b>	<b>178mm</b>
	<b>Width (360° rotation)</b>	<b>226mm</b>
	<b>Depth</b>	<b>76mm</b>
<b>Function</b>	<b>Pan</b>	<b>360°</b>
<b>Weight</b>	<b>Weight in air</b>	<b>3Kg</b>
	<b>Weight in water</b>	<b>2.2Kg</b>
<b>Material</b>	<b>316 SS</b>	
	<b>HE 30 Hard anodised aluminium alloy</b>	
<b>Hydraulics</b>	<b>Max working pressure</b>	<b>210 bar</b>
<b>Ports</b>		<b>7/16 SAE / 1/8 NPT</b>

Hydro-Lek Ltd. Unit 4 Weller Drive Hogwood Lane Ind. Estate Finchampstead Berks. U.K. RG40 4QZ  
Telephone: +44(0) 118 9736903 Fax: +44(0) 118 9736915  
Web Site <http://www.hydro-lek.com> Email: [enquiries@hydro-lek.com](mailto:enquiries@hydro-lek.com)



**PORTS**  
 C - -  
 CW - -  
 ACW - -

**COMPENSATION**  
 PAN CLOCKWISE  
 PAN C/CLOCKWISE

**SPECIFICATION**

PAN ANGLE  
 MAX WORKING PRESS.  
 PAN TORQUE  
 OVERALL HEIGHT  
 OVERALL WIDTH  
 WEIGHT IN AIR  
 WEIGHT IN WATER  
 PORTS  
 MATERIALS:-

360°  
 210 BAR  
 100 NM  
 178  
 226  
 3.0 KG  
 2.2 KG  
 1/8" NPT / 7/16" SAE  
 HE 30 ALUMINIUM  
 316 ST. STEEL

HYDRO-LEK LTD		HLK-2200 CAMERA ROTATE UNIT	
ISS. DATE:-		MAT:-	VARIOUS
CHKD BY:-	REV. NO:-	DRG. NO:-	CMR 2200/DATA
DRAWN BY:- JW 19/8/99		CML INNOVATIONS LTD.	