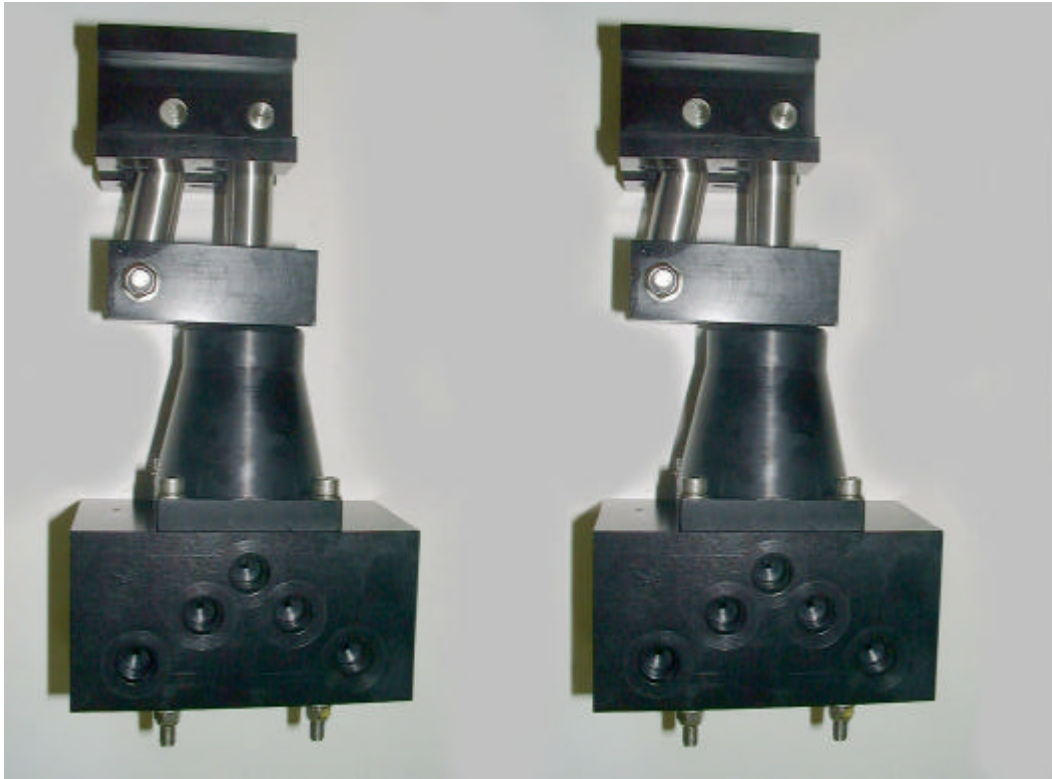




INNOVATIVE DESIGN ENGINEERING



HLK-2100 Mini Pan & Tilt:

The HLK-2100 Mini Pan & Tilt is designed to be fitted to small ROV's, Tooling Skids and Tether Management Systems to enable miniature lightweight cameras or lights to be installed. Its unique slip ring and tilt action ensures the camera swept arc is kept to a minimum, with all of the hydraulic ports on the rear face of the block, for easy plumbing.

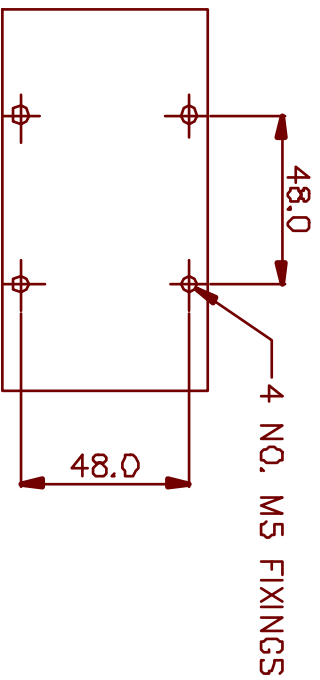
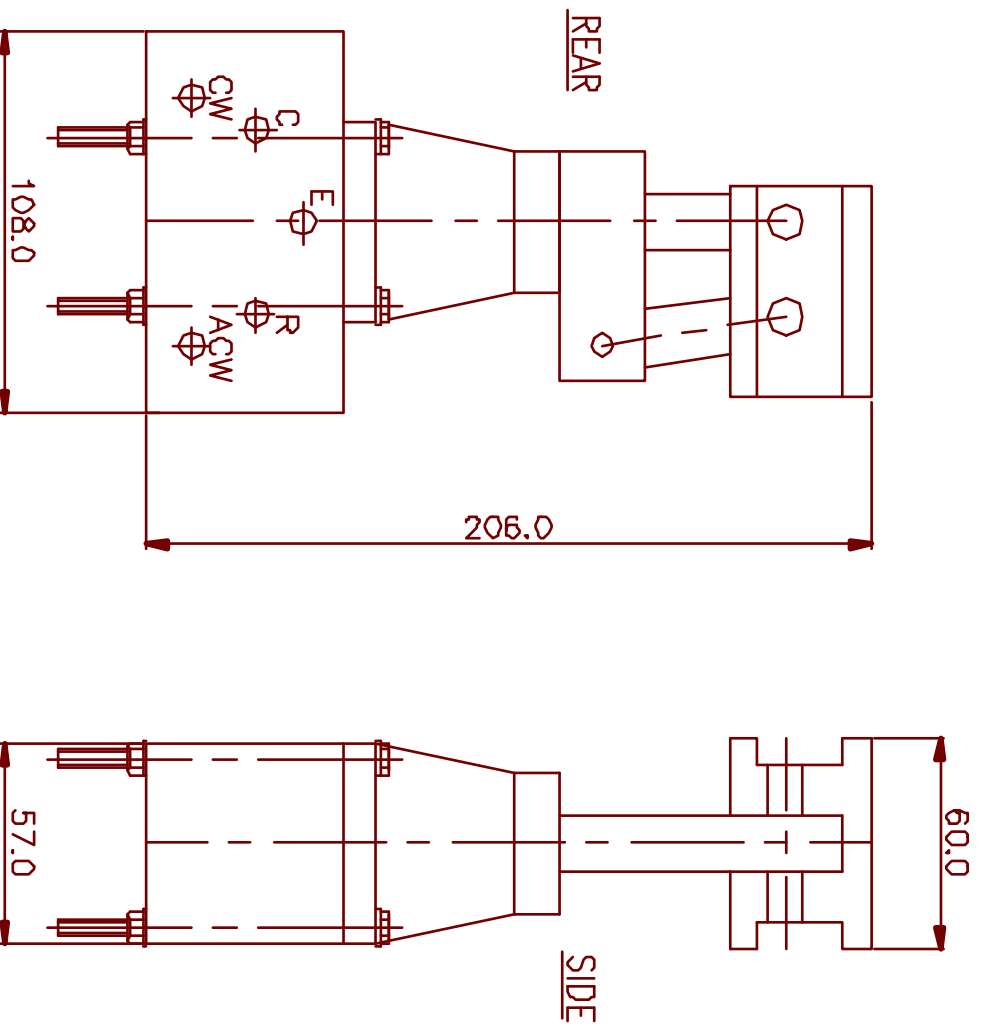
Specification:

Dimensions	Height	206 mm
	Width	108 mm
	Depth	60 mm
Function	Tilt	90°
	Pan	180°
Weight	Weight in air	2.0 Kg
	Weight in water	1.3 Kg
Material	316 SS	
	HE 30 Hard anodised aluminium	
Hydraulics Ports	Max working pressure	210 bar
		7/16 SAE / 1/8 NPT

Hydro-Lek Ltd. Unit 4 Weller Drive Hogwood Lane Ind. Estate Finchampstead Berks. U.K. RG40 4QZ

Telephone: +44(0) 118 9736903 Fax: +44(0) 118 9736915

Web Site <http://www.hydro-lek.com> Email: enquiries@hydro-lek.com



SPECIFICATION

PAN ANGLE	180°
TILT ANGLE	90°
MAX WORKING PRESSURE	210 BAR
PAN TORQUE	40 NM
TILT TORQUE	40 NM
OVERALL HEIGHT	206 mm
OVERALL WIDTH	108 mm
WEIGHT IN AIR	2 Kg
WEIGHT IN WATER	1.3 Kg
PORTS	1/8 NPT - 7/16 SAE
MATERIALS :	HE30 ALUMINIUM
	316 STL STEEL

PORTS

- E = TILT EXTEND
- R = TILT RETRACT
- C = COMPENSATION
- CW = PAN CL / WISE
- ACW = PAN C CL / WISE

HYDRO-LEK LTD	HLK-2100 MINI PAN AND TILT
ISS. DATE:--	MAT:--
CHKD BY:-- REV. NO:--	DRG. NO:-- GMR 2100/DATA
DRAWN BY:-- JW 4/5/00	C.M. INNOVATIONS LTD.

BASE