

**Norman
8200/8300 Series
Tank Top Filters
120 gpm Return
40 gpm Suction**

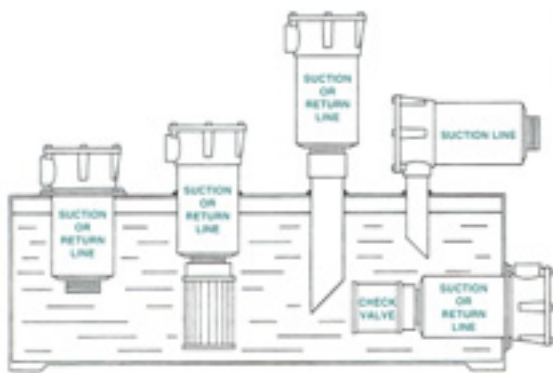


NORMAN FILTER COMPANY, L.L.C.
PHONE: 708-233-5521 • FAX: 708-430-5961

Norman Tank Top Filters



TYPICAL INSTALLATIONS



Fluid Conditioners

Norman Tank Top filters are used to condition a wide variety of fluids. Whether your application is hydraulic, chemical processing or industrial clarification, Norman filters will remove particulate and water contaminants from your system to keep it running longer. Filters increase the life of pumps, valves, regulators and other components in your system, with paybacks of longer system life, reduced down-time and improved productivity. Norman offers the broadest filter line in the industry. This wide variety of sizes, materials, filtration media and optional accessories, all available from stock, allows you to select the model with the best price/ performance value for your application.

Housings

Norman Tank Top filter housings are made of either aluminum or steel and are rated up to 500 psi maximum operating pressure. These housings come in four basic sizes, with flow rates up to 300 gpm return line and 100 gpm suction line (with 100 ssu oil). Port sizes range from 1/2" to 3" NPT, 1/2" to 1-1/2" SAE or 4 bolt flange. All pressure ratings are static, for applications calling for pulsating or pressure spikes, consult factory.

Elements

The replacement element is the heart of the filter. Norman offers four media types in a variety of micron ratings. Our water absorbing media is designed to remove water from your hydraulic or lube oils.

Cellulose: Resin-impregnated cellulose media has low cost and disposable convenience. Being a depth type filter, it has moderate dirt holding capacity for extended filter life. Available in 3, 10 and 25 micron efficiency ratings and various flow through options. All Norman cellulose elements are bonded with epoxy for excellent fluid compatibility.

Glass Fiber: Multi-layer glass fiber elements use aerospace technology to produce high efficiency silt-control filtration. Available in 3 and 10 micron with a beta efficiency rating of 75. Glass fiber elements are all epoxy bonded and can withstand temperatures ranging from - 65° F to 250° F.

Stainless Steel Wire Mesh: Available in four mesh sizes, 30,60,100 and 200 with optional magnetic inserts (100 mesh is standard). Wire mesh elements are all epoxy bonded and can withstand temperatures ranging from - 65° F to 250° F.

Water Absorbing: The water absorbing media functions as both a particulate and water removal filter. This filter media is available in 3 and 10 micron.

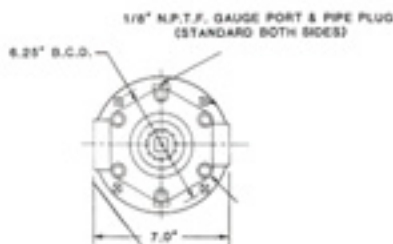
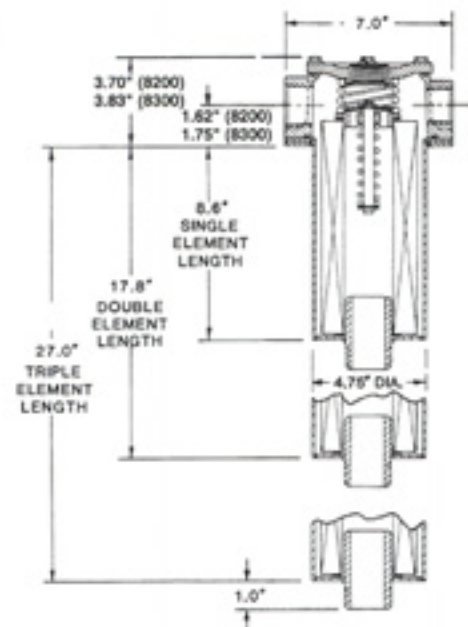
Optional Accessories: Norman Tank top filters have a number of optional accessories in stock to modify our standard housings to meet your specific application requirements:

Bypass Relief Valve: Internal valve relieves pressure during flow surges or cold start-up.

Gauge Ports: Allows operator to view gauge to determine the appropriate time for filter change-out.

Bottom Port Options: Six sizes of bottom ports are available; 1-1/2 to 3" npt male pipe, 1-1/2" extended pipe, 1 to 1-1/4" npt female.





Warning: 80 PSI ▲ P max. without by-pass

SPECIFICATIONS

Rated Flow:

- 120 GPM Return Line
- 40 GPM Suction Line

Housing Material:

- Die Cast Aluminum Head
- Steel Bowl

Pressure Rating:

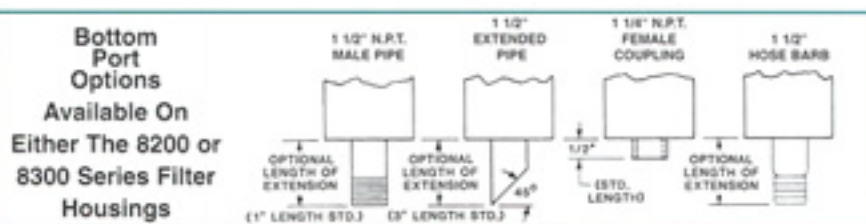
- 8200 Series: 100 psi max operating
- 8300 Series: 500 psi max operating

Temperature:

- 65° F. to 250° F.

Options:

- Relief Valve Setting: 0,3,5,15,25 psi
- Gauge Port



Bottom Port Options
Available On
Either The 8200 or
8300 Series Filter
Housings

How To Order:

XX - XXXX - X - XX - X - X - X

| Series Prefix | Description |
|---------------|-----------------------------------|
| 82 | 1 1/8" Thick Flange - 100 PSI Max |
| 83 | 3/8" Thick Flange - 500 PSI Max |

| Code | Port Size & Type |
|--------|-------------------------------|
| 0000 | No Ports |
| 2020 | 1 1/4" NPTF Only |
| 2024 | 1 1/4" & 1 1/2" NPTF |
| 2424 | 1 1/2" NPTF |
| 205205 | 1 5/8" - 12 SAE Only |
| 205245 | 1 5/8" - 12 & 1 7/8" - 12 SAE |
| 245245 | 1 7/8" 12 UN (SAE - 24) |

No Port models come with "bottom flow" Element housing as a standard

| Code | Description | L |
|------|----------------|-------|
| 1 | Single Element | 9.19 |
| 2 | Double Element | 18.13 |
| 3 | Triple Element | 27.38 |

See Back Page For Elements

Length of extension

| Code | Bottom Port Options |
|------|-------------------------------|
| EP | Extended Pipe (3" Std Length) |
| MP | Male Pipe (1" Std Length) |
| FC | Female Coupling |
| HB | Hose Barb |
| V | Check Valve |

| Code | By-Pass Valve Setting |
|------|-----------------------|
| 00 | No-By-Pass |
| 03 | 3 PSI |
| 05 | 5 PSI |
| 15 | 15 PSI |
| 25 | 25 PSI |

ELEMENT SELECTION

| Part Number | Filtration Rating (Nominal) | Average Beta 10 | Filter Media Area | Dirt Holding Capacity | OAL | Flow Direction Thru Element |
|-------------|-----------------------------|-----------------|-------------------|-----------------------|--------|-----------------------------|
| 8283A-3 | 3 Micron | 15.0 | 1120 Sq. In. | 47 Grams | 9.19" | Bi-Directional |
| 8283-3AQ | 3 Micron | 60.0 | 461 Sq. In. | 19 Grams | 9.19" | Bi-Directional |
| 8283A-10 | 10 Micron | 1.5 | 1120 Sq. In. | 45 Grams | 9.19" | Bi-Directional |
| 8283A-25 | 25 Micron | 9.0 | 1120 Sq. In. | 45 Grams | 9.19" | Bi-Directional |
| 8283G-141R | 141 Micron | — | 151 Sq. In. | 9.82 Grams | 9.19" | Outside to Inside |
| 8283G-141S | 141 Micron | — | 151 Sq. In. | 9.82 Grams | 9.19" | Inside to Outside |
| 8283G-141RM | 141 Micron | — | 109 Sq. In. | 7.09 Grams | 9.19" | Outside to Inside |
| 8283G-141SM | 141 Micron | — | 109 Sq. In. | 7.09 Grams | 9.19" | Inside to Outside |
| 8283A2-10 | 10 Micron | 9.0 | 2240 Sq. In. | 90 Grams | 18.19" | Bi-Directional |
| 8283A2-25 | 25 Micron | 1.5 | 2240 Sq. In. | 90 Grams | 18.19" | Bi-Directional |
| 8283G2-141R | 141 Micron | — | 302 Sq. In. | 19.63 Grams | 18.19" | Outside to Inside |
| 8283G-10 | 10 Micron | — | 151 Sq. In. | 9.28 Grams | 9.19" | Outside to Inside |
| 8283M-3 | B3 =75 | 7.5 | 1120 Sq. In. | 44.80 Grams | 9.19" | Outside to Inside |
| 8283M-10 | B10 =75 | 7.5 | 1120 Sq. In. | 67.20 Grams | 9.19" | Outside to Inside |
| 8283M2-10 | B10 =75 | 7.5 | 2240 Sq. In. | 134.40 Grams | 18.19" | Outside to Inside |