

**Norman
6000 Series
0-600 gpm
3/8" thru 6" npt**



NORMAN FILTER COMPANY, L.L.C.
PHONE: 708-233-5521 • FAX: 708-430-5961

6100 SERIES

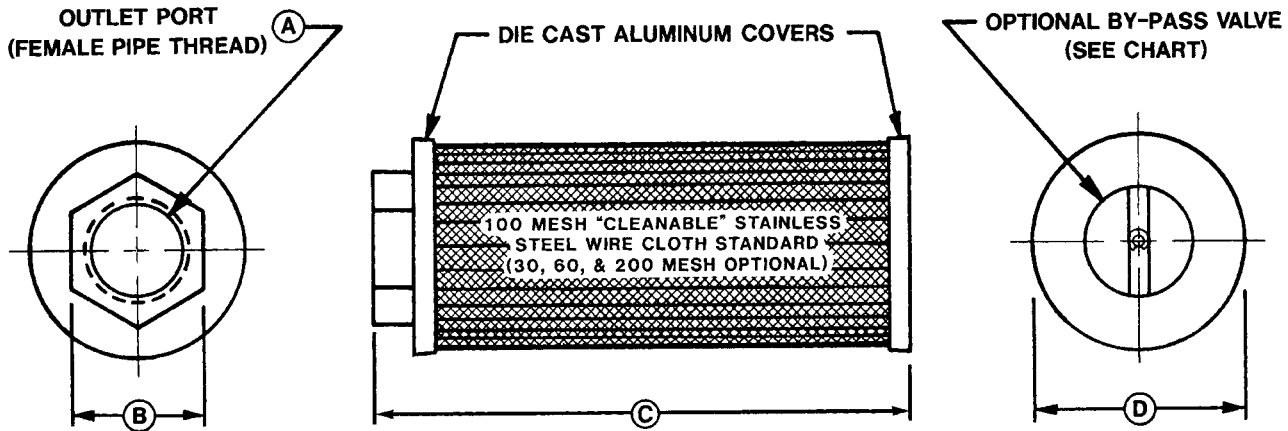
INTERNALLY MOUNTED TANK FILTER

Port Sizes: 3/8" thru 6" NPT

Standard: 100 Mesh

Optional: 30, 60, & 200 Mesh

Temperature: -65° F. to 250° F.



Design Features:

All 6000, 6100, & 6200 Series models offer rated flow capacities 5 FPS outlet line velocities at substantially under 1.2 PSI (1" Hg) pressure drop.

3 PSI (6" Hg) or 5 PSI (10" Hg By-pass valve are optional.

All 6000, 6100 & 6200 Series models are suitable for use with all petroleum base oils, fire resistant hydraulic fluids, coolants, and lubricants.

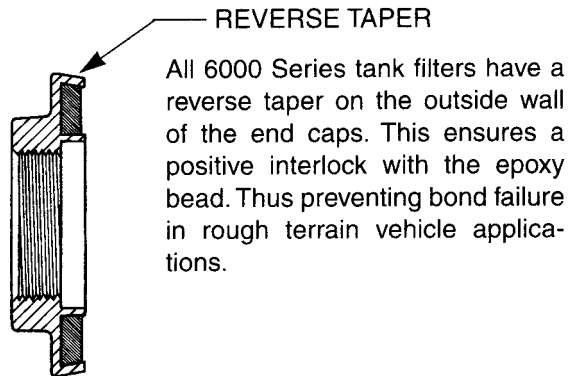


TABLE 1

Model #	A Outlet Port	B Wrench Flat	C Overall Length	D OD	Rated Flow Cap At 5 Ft/Sec Vel.
*6006	3/8" NPT	1.20"	2.6"	1.1"	3 GPM
*6106	3/8" NPT	1.13"	2.2"	3.2"	3 GPM
*6008	1/2" NPT	1.20"	2.6"	1.1"	5 GPM
*6108	1/2" NPT	1.13"	2.2"	3.2"	5 GPM
6012	3/4" NPT	1.50"	3.9"	1.5"	8 GPM
6112	3/4" NPT	1.75"	3.6"	3.2"	8 GPM
6016	1" NPT	1.75"	3.9"	1.7"	14 GPM
6116	1" NPT	1.75"	4.6"	3.2"	14 GPM
6120	1 1/4" NPT	2.25"	6.6"	3.2"	23 GPM
6024	1 1/2" NPT	2.25"	8.6"	3.2"	32 GPM
6124	1 1/2" NPT	2.25"	7.2"	4.2"	32 GPM
6132	2" NPT	3.00"	7.2"	4.2"	53 GPM
6140	2 1/2" NPT	3.50"	9.3"	4.2"	75 GPM
6148	3" NPT	4.00"	12.4"	4.2"	116 GPM
6164	4" NPT	7.63"	20.1"	9.0"	275 GPM
6196	6" NPT	7.63"	20.1"	9.0"	600 GPM

How To Order: 6006 - X - X

Table 1/ Model#

Code	Wire Mesh
0	100 Mesh (Std.)
2	200 Mesh
3	30 Mesh
6	60 Mesh

Code	By-Pass Valve
0	No Valve
3	3 PSI
5	5 PSI
*	By-Pass Valve Not Available On These Models



6200 SERIES

EXTERNALLY MOUNTED TANK FILTER

Port Sizes: 3/8" thru 4" NPT

Standard: 100 Mesh

Optional: 30, 60, & 200 Mesh

Temperature: -65° F. to 250° F.

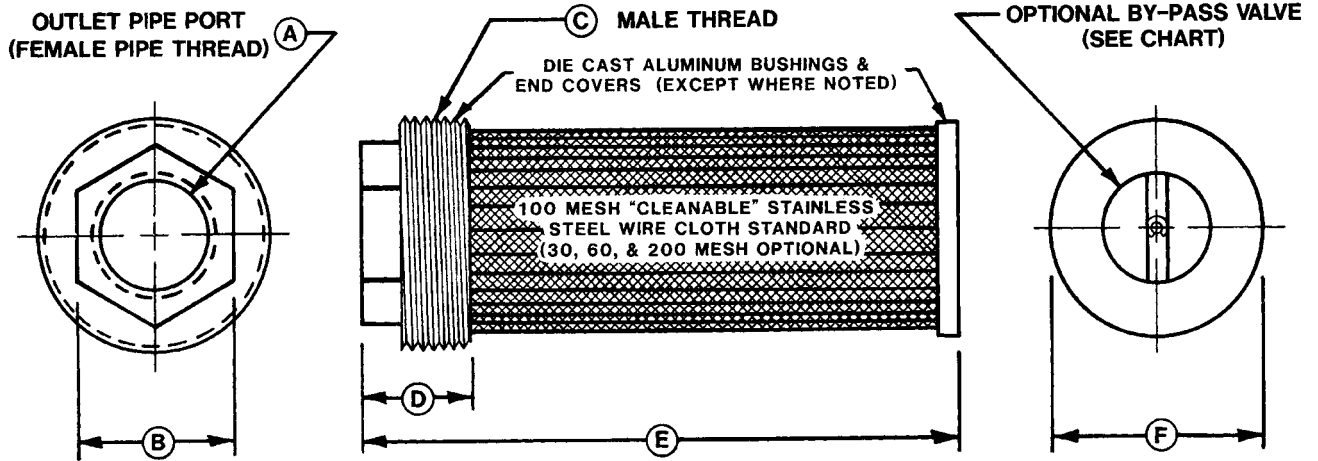
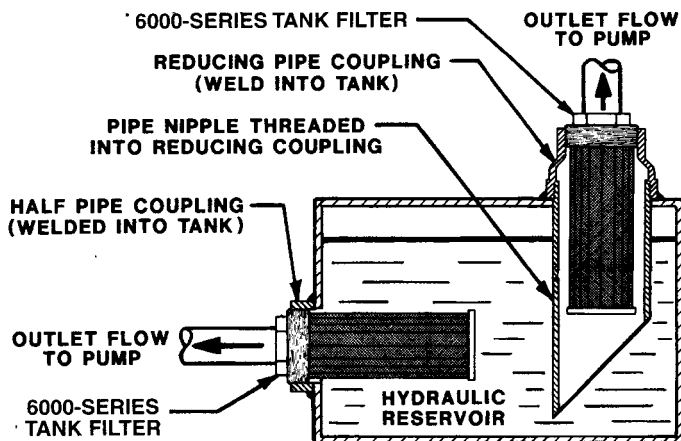


TABLE 2

Model Number	A Outlet Port	B Hex Size	C Male Thread	D Fitting Length	E	F Cover Dia.	Rated Flow Capacity at 5 FPS Vel.
* 620616	3/8" NPT	1.2"	1" NPT	1.1"	2.6"	1.1"	3 GPM
620816	1/2" NPT	1.2"	1" NPT	1.1"	4.9"	1.1"	5 GPM
621220	3/4" NPT	1.5"	1 1/4" NPT	1.1"	6.9"	1.5"	8 GPM
621624	1" NPT	1.75"	1 1/2" NPT	1.1"	6.9"	1.7"	14 GPM
621648	1" NPT	2.5"	3" NPT	1.5"	4.7"	3.2"	14 GPM
622032	1 1/4" NPT	2.1"	2" NPT	1.2"	9.1"	2.2"	23 GPM
622048	1 1/4" NPT	2.5"	3" NPT	1.5"	6.7"	3.2"	23 GPM
622448	1 1/2" NPT	2.5"	3" NPT	1.5"	8.7"	3.2"	32 GPM
6220S48	1 5/8"-12 SAE	2.5"	3" NPT	1.5"	8.7"	3.2"	20 GPM
6224S48	1 7/8"-12 SAE	2.5"	3" NPT	1.5"	8.7"	3.2"	30 GPM
623248	2" NPT	3.06"	3" NPT	1.63"	8.8"	3.2"	53 GPM
623264	2" NPT	3.09"	4" NPT	1.75"	7.7"	4.2"	53 GPM
624064	2 1/2" NPT	4.13"	4" NPT	2.1"	9.7"	4.2"	75 GPM
624864	3" NPT	4.13"	4" NPT	2.1"	12.7"	4.2"	116 GPM
626496	4" NPT	5.8"	6" NPT	2.25"	12.36"	5.75"	200 GPM

3 PSI (6" Hg) or 5 PSI (10" Hg) By-Pass Valve Optional



How To Order: 620616 - X - X

Table 2/ Model#

Code	Wire Mesh
0	100 Mesh (Std.)
2	200 Mesh
3	30 Mesh
6	60 Mesh

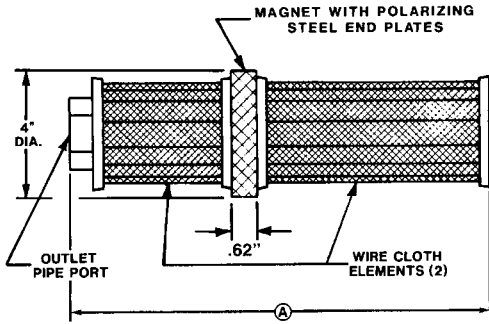
Code	By-Pass Valve
0	No Valve
3	3 PSI
5	5 PSI
*	By-Pass Valve Not Available on This Model



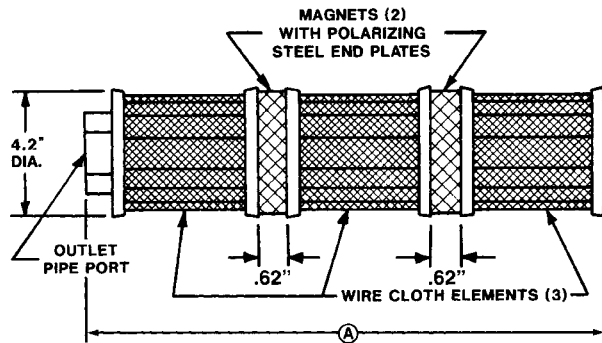
6100 SERIES

"MAGNETIC" TANK FILTERS INTERNALLY MOUNTED

Port Sizes: 3/8" thru 3" NPT
Standard: 100 Mesh
Optional: 30, 60, & 200 Mesh
Temperature: -65° F. to 250° F.



Model / Style	Outlet Port	Overall Length [Ⓐ]
6112	3/4" NPT	4.6"
6116	1" NPT	6.0"
6120	1 1/4" NPT	7.0"
6124	1 1/2" NPT	9.0"
6132	2" NPT	9.1"
6140	2 1/2" NPT	11.1"
6148	3" NPT	14.3"

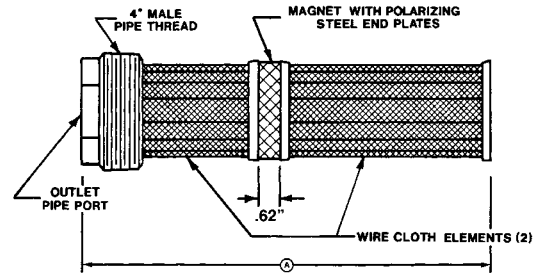


Model / Style	Outlet Port	Overall Length [Ⓐ]
6132	2" NPT	11.9"
6140	2 1/2" NPT	14.0"
6148	3" NPT	15.1"

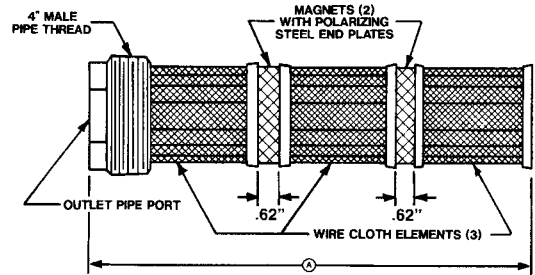
6200 SERIES

"MAGNETIC" TANK FILTERS EXTERNALLY MOUNTED

Port Sizes: 2" thru 3" NPT
Standard: 100 Mesh
Optional: 30, 60, & 200 Mesh
Temperature: -65° F. to 250° F.

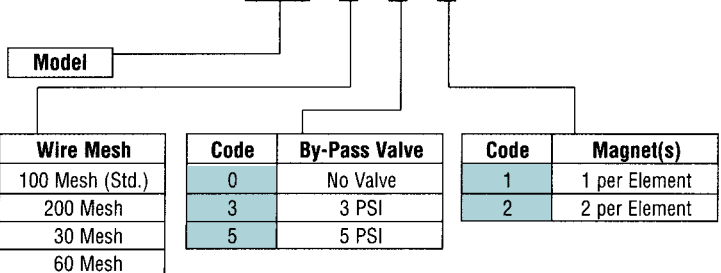


Model / Style	Outlet Port	Overall Length [Ⓐ]
6232	2" NPT	9.7"
6240	2 1/2" NPT	11.7"
6248	3" NPT	14.7"



Model / Style	Outlet Port	Overall Length [Ⓐ]
6232	2" NPT	12.5"
6240	2 1/2" NPT	14.5"
6248	3" NPT	15.5"

How to Order: 6112 - X - X - X



NORMAN FILTER COMPANY, L.L.C.

9850 SOUTH INDUSTRIAL DRIVE
 BRIDGEVIEW, ILLINOIS 60455
 PHONE: 708-233-5521
 FAX: 708-430-5961
 EMAIL: SALES@NORMANFILTERS.COM
 WWW.NORMANFILTERS.COM

DISTRIBUTED BY: