

NORMAN FILTER COMPANY, L.L.C.

ISO 9001:2000 certified

AEROSPACE 9100: Rev.B certified

Introducing the High Flow, High Pressure 4900 Series Filter

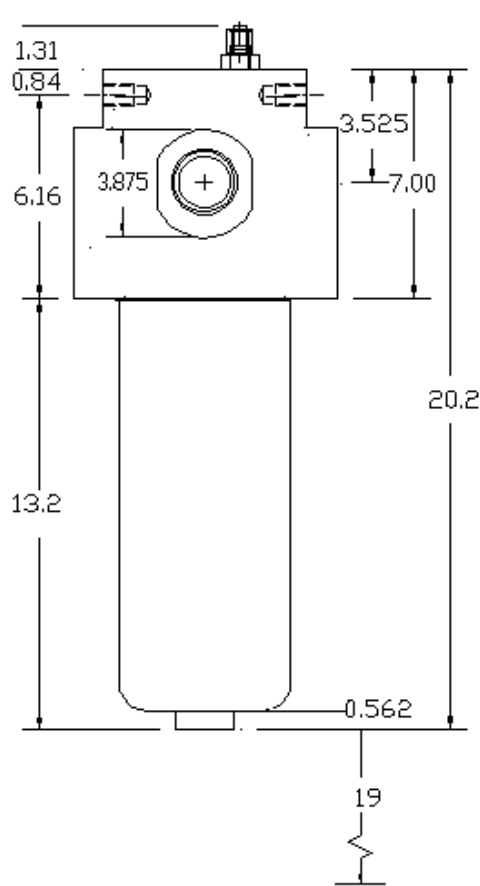
Flow

150 GPM flow rate

Pressures

- 8,000 PSIG operating
- 12,000 PSIG proof
- 32,000 PSIG burst

20.2 in. high x 8.0 in. wide



Housing Weight

316, 304 stainless steel

head 68 pounds

bowl 61 pounds

- total 129 pounds •

7075 aluminum

head 19.5 pounds

bowl 17.2 pounds

- total 36.7 pounds •

Process Temperature

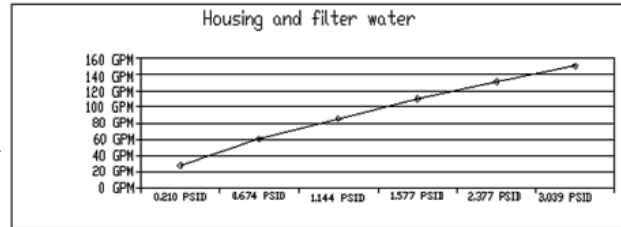
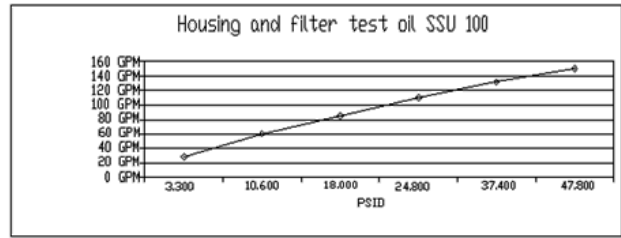
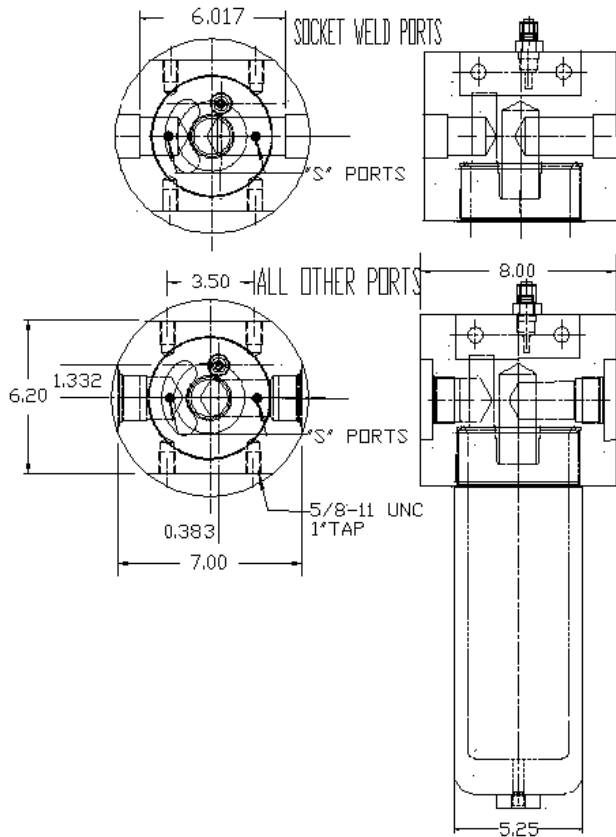
stainless steel

maximum 350 F.

aluminum

maximum 200 F.

all temperature minimum -350 F.



call now for
 more information
708-233-5521

how to order

PRODUCT PART NUMBER **49** - -

REPLACEMENT ELEMENT **549** - -

PORT SIZE & TYPE	
98	1" NPT
88	1.25" NPT
24	1.5" NPT
32	2" NPT
76	1" SAE
80	1.25" SAE
78	1.5" SAE
32A	2" SAE
STAINLESS STEEL ONLY	
16S	1" SOCKET WELD
20S	1.25" SOCKET WELD
24S	1.5" SOCKET WELD
TUBING SOCKET WELD PORTS ARE SPECIAL ORDER	

HOUSING	
A	ALUM.
G	S.S.
T	316 S.S.

ELEMENT CODE	
A	CELLULOSE
F	GLASS FIBER
G	STAINLESS MESH
R	RANDOM M.F.

MICRON RATING						
CODE	NOM	ABS	G	A	F	R
2X	2	10	●			
B1		1			●	
B3		3			●	
03	3	10		●	●	
05	5	18		●	●	
B5		5			●	
10	10	25		●	●	
B10		10			●	
20	20	40		●		
25	25	40			●	
B25		25			●	
40	40	75		●		
100	100	200		●		
200	200	300		●		

"O"RING MATERIAL	
L	BUNA-N
N	VITON
E	ETHYLENE PROPYLENE
MN	TEFLON COATED VITON
K	90 DUROMETER NITRILE
H	KALREZ™

COLLAPSE RATING	
R	300# CELLULOSE
A	300# GLASS FIBER
C	3200# GLASS FIBER
D	4500# STAINLESS MESH
E	4500# RANDOM M.F.

OPTIONAL ACCESSORIES	
DR1	1/8" NPT BOWL DRAIN
DR2	1/4" NPT BOWL DRAIN
DR3	1/8" SAE BOWL DRAIN
DR4	1/4" SAE BOWL DRAIN
S1	1/8" NPT D/P PORT
S2	1/4" NPT D/P PORT
S3	1/8" SAE D/P PORT
S4	1/4" SAE D/P PORT
V	VISUAL INDICATOR
EE	ELECTRICAL INDICATOR
R	BYPASS VALVE

4900 04/09

Oil & Gas • Aerospace • Power Generation • Alternative Fuel • Industrial • Elements • View Catalogs • Quality • Home • Contact Us

9850 S. Industrial Drive Bridgeview, IL 60455
 Phone: 708-233-5521 Fax: 708-430-5961
 Email: Sales@NormanFilters.com